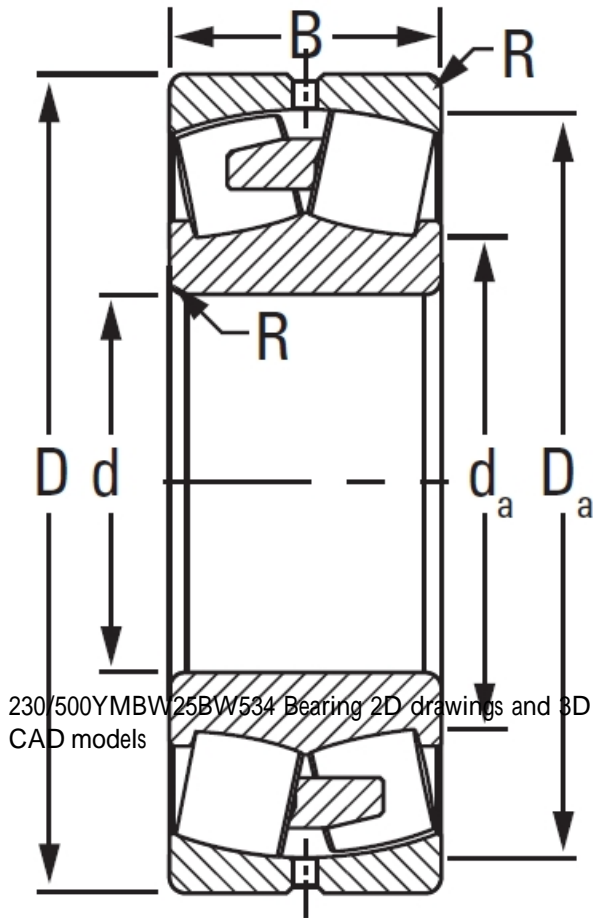




TGH Roller Bearing Co., Ltd

230/500YMBW25BW534 TIMKEN Tapered Roller Bearings Tapered Single Metric

Bearing No. 230/500YMBW25BW534



230/500YMBW25BW534 Bearing 2D drawings and 3D CAD models

Design Unit	METRIC
Bearing Weight	222 Kg
Cage Type	YMB
Cage Material	Brass
d	500.000 mm
D	720.000 mm
B - Inner Ring Width	167 mm
B - Outer Ring Width	167.000 mm
R - Inner Ring To Clear Radius ¹	5.000 mm
r - Outer Ring To Clear Radius ²	5.000 mm
da - Inner Ring Backing Diameter	550.000 mm
Da - Outer Ring Backing Diameter	673.000 mm
C0 - Static Radial Rating	8160000 N
C1(2) - Dynamic Radial Rating (Two-Rows)	4290000 N
e - ISO Factor ³	0.21
Y0 - ISO Factor ⁴	3.26
Y1 - ISO Factor ⁵	4.85
Y2 - ISO Factor ⁶	3.18
Reference Thermal Speed Rating (Grease)	510
Reference Thermal Speed Rating (Oil) ⁷	580
Cg - Geometry Factor ⁸	0.1037



TGH Roller Bearing Co., Ltd