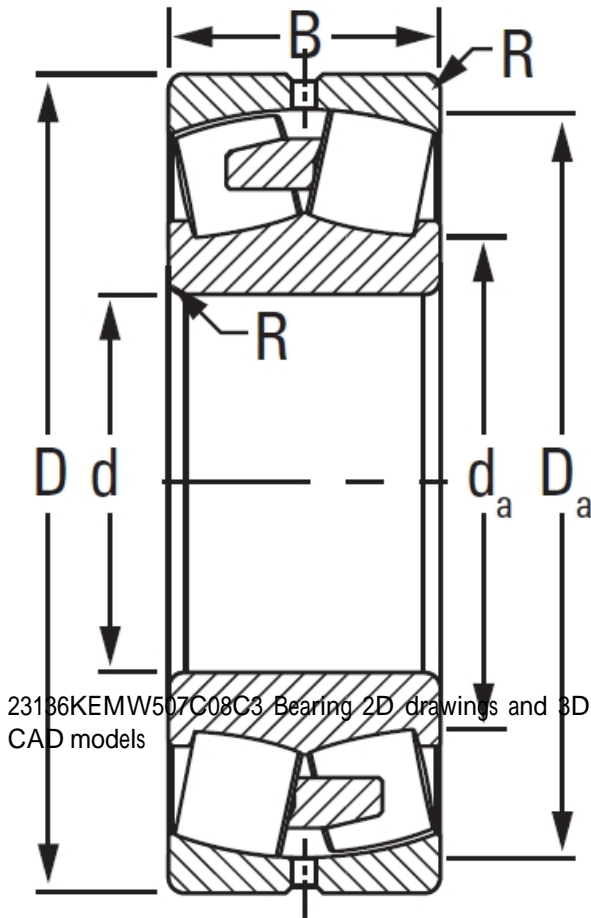




TGH Roller Bearing Co., Ltd

23136KEMW507C08C3 TIMKEN Tapered Roller Bearings Tapered Single Metric

Bearing No. 23136KEMW507C08C3



23136KEMW507C08C3 Bearing 2D drawings and 3D CAD models

Design Unit	METRIC
Bore Taper	1/12
Bearing Weight	27.6 Kg
Cage Type	EM
UPC Code	087796029576
Cage Material	Brass
Superseded Part	23136KYMW507C08C3
d	180 mm
D	300 mm
B - Inner Ring Width	96 mm
B - Outer Ring Width	96.000 mm
R - Inner Ring To Clear Radius ¹	2.500 mm
r - Outer Ring To Clear Radius ²	2.500 mm
da - Inner Ring Backing Diameter	208.000 mm
Da - Outer Ring Backing Diameter	275.000 mm
C0 - Static Radial Rating	2000000 N
C1(2) - Dynamic Radial Rating (Two-Rows)	1410000 N
e - ISO Factor ³	0.29
Y0 - ISO Factor ⁴	2.32
Y1 - ISO Factor ⁵	3.45
Y2 - ISO Factor ⁶	2.27
Reference Thermal Speed	1300



TGH Roller Bearing Co., Ltd

Rating (Grease)	
Reference Thermal Speed Rating (Oil) ⁷	1500
Cg - Geometry Factor ⁸	0.0987