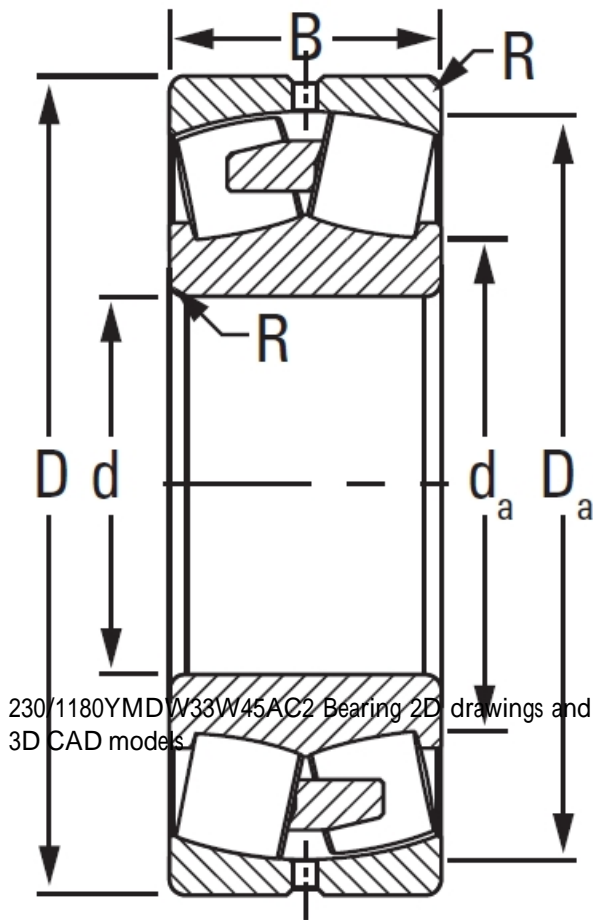




# TGH Roller Bearing Co., Ltd

## 230/1180YMDW33W45AC2 TIMKEN Tapered Roller Bearings Tapered Single Metric

Bearing No. 230/1180YMDW33W45AC2



230/1180YMDW33W45AC2 Bearing 2D drawings and 3D CAD models

Design Unit	METRIC
Bearing Weight	2447.900 Kg
Cage Type	YMD
Cage Material	Brass
d	1180.000 mm
D	1660.000 mm
B - Inner Ring Width	355 mm
B - Outer Ring Width	355.000 mm
R - Inner Ring To Clear Radius <sup>1</sup>	7.000 mm
r - Outer Ring To Clear Radius <sup>2</sup>	7.000 mm
da - Inner Ring Backing Diameter	1293.000 mm
Da - Outer Ring Backing Diameter	1558.000 mm
C0 - Static Radial Rating	43200000 N
C1(2) - Dynamic Radial Rating (Two-Rows)	19200000 N
e - ISO Factor <sup>3</sup>	0.19
Y0 - ISO Factor <sup>4</sup>	3.5
Y1 - ISO Factor <sup>5</sup>	5.21
Y2 - ISO Factor <sup>6</sup>	3.42
Reference Thermal Speed Rating (Grease)	160
Reference Thermal Speed Rating (Oil) <sup>7</sup>	170
Cg - Geometry Factor <sup>8</sup>	0.17



# TGH Roller Bearing Co., Ltd